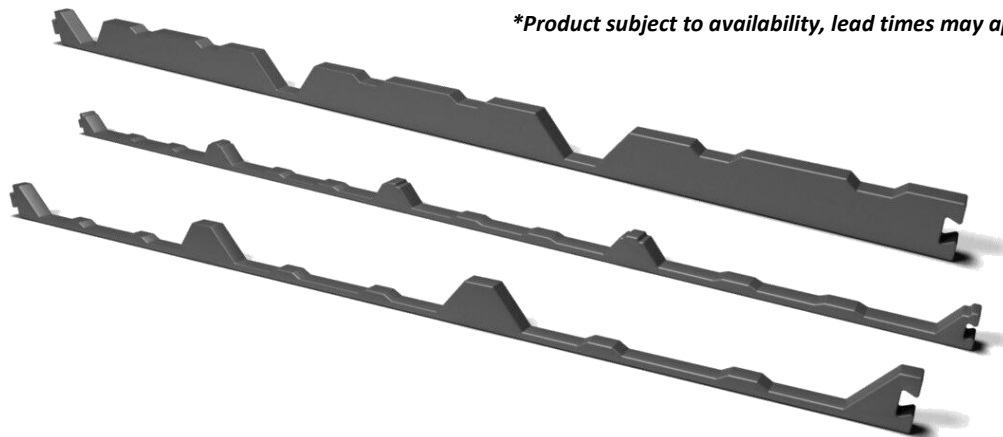


Profile Closure

Roof and Wall Closure

Size	Item #	CTN Qty (FT)	Notes
12" x 1.5" x 36"	G10050312F	100	MBCI R-Panel Inner Glued on Flat
12" x 1.5" x 36"	G10050313R	100	MBCI R-Panel Outer Glued on Rib
9" x 1" x 36"	G10051437F	100	High Grand Rib III Ag Inner Glued on Flat
9" x 1" x 36"	G10051451R	100	High Grand Rib III Ag Outer Glued on Rib
9" x 1" x 36"	G10051538F	100	MS Classic Rib Inner Glued on Flat
9" x 1" x 36"	G10051539R	100	MS Classic Rib Outer Glued on Rib

**Product subject to availability, lead times may apply*



Our G100 closure is flexible, semi-rigid, cross-linked polyethylene foam is fused together by a process that assures uniform quality. This results in a material with exceptional strength and uniform compressibility. G100 panel closures are also very lightweight, easy to handle and installed.

G100 resists temperature extremes, and its closed-cell configuration virtually eliminates moisture absorption and vapor transmission problems. Rust is no problem either – even at a building’s bases and eaves. G100 will not crack, shrink, or dry out as do conventional closures. Use G100 where chemical resistance to atmospheric contaminants is necessary.